



TOWN OF WARRENTON

Stormwater Management

PO BOX 341
 WARRENTON, VIRGINIA 20188
<http://www.warrentonva.gov>
 TELEPHONE: (540) 347-1101

Annual Stormwater Management Facility Operation & Maintenance Inspection for **CONSTRUCTED WETLAND**

Owner Information:

Name:			
Phone Number:		Email:	

Facility Information: (One form per facility)

Address:		BMP Location: (i.e. Open space behind lots 3-8)	
Facility Description:		Case Number:	

Inspection:

Inspector's Name:		Date of Inspection:	
Maintenance Performed:		Date all Maintenance Completed:	
Has it rained in the last 48 hours?		Estimated Amount of Rain in inches:	

	Inspection Tasks*	Inspection Results	Maintenance Needed?	Date Maintenance Completed
1.	Is there any erosion at the inflow and outfall points?			
2.	Is there any debris or sediment buildup in the forebay or the micro pool?			
3.	Is there any evidence of sloughing, animal burrows, woody growth or erosion on the embankment?			
4.	Are the wetland plantings healthy?			
5.	Is the trash rack securely connected to the riser and clear of debris?			
6.	Is the riser in good condition and are all the openings clear of debris?			
7.	Are there any invasive plants or is there woody vegetation in the wetland areas that needs to be removed?			
8.	Are there any bare spots around the perimeter or on the embankment that need to be seeded and mulched?			
Notes (includes description of maintenance completed)				

*See back for description

Inspector's Signature: _____

Inspector's Phone Number: _____ Email: _____

******ONE FORM PER FACILITY******

Owner Information should be filled in with the contact information of the owner/HOA of the facility.

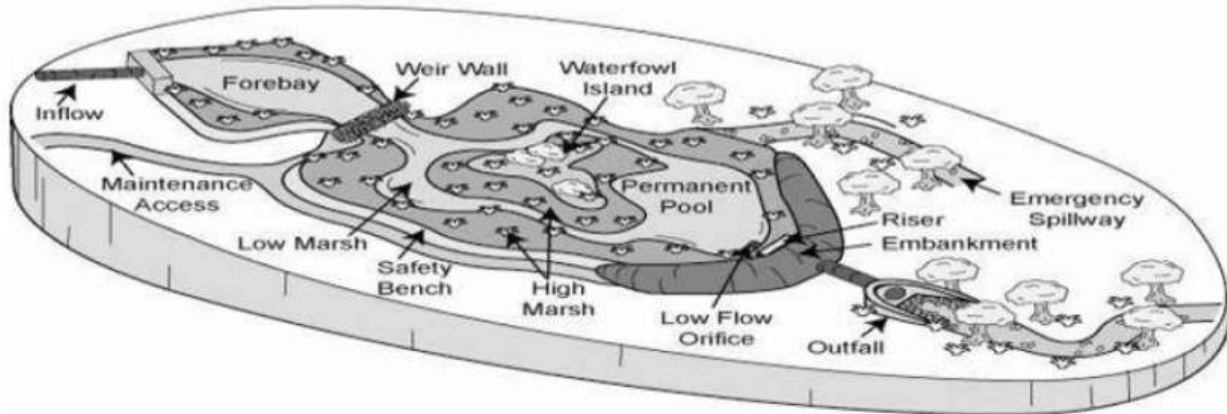
Facility Information can be obtained from the letter.

Inspection Information should be completed by the individual completing the inspection. The owner or the HOA representative can complete the inspection.

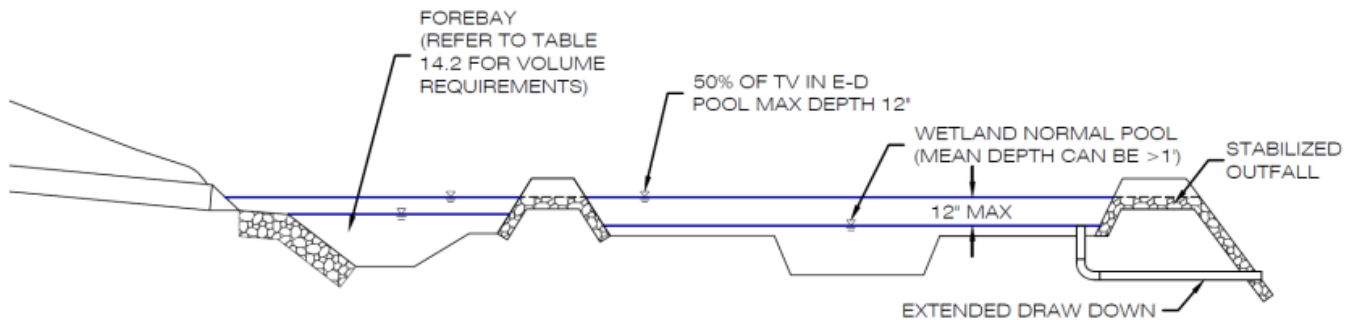
The **Inspection Tasks** table needs to be completed by the person inspecting each component. Components are shown on the detail below. Any maintenance completed should be described in the **Notes** section.

Constructed Wetland

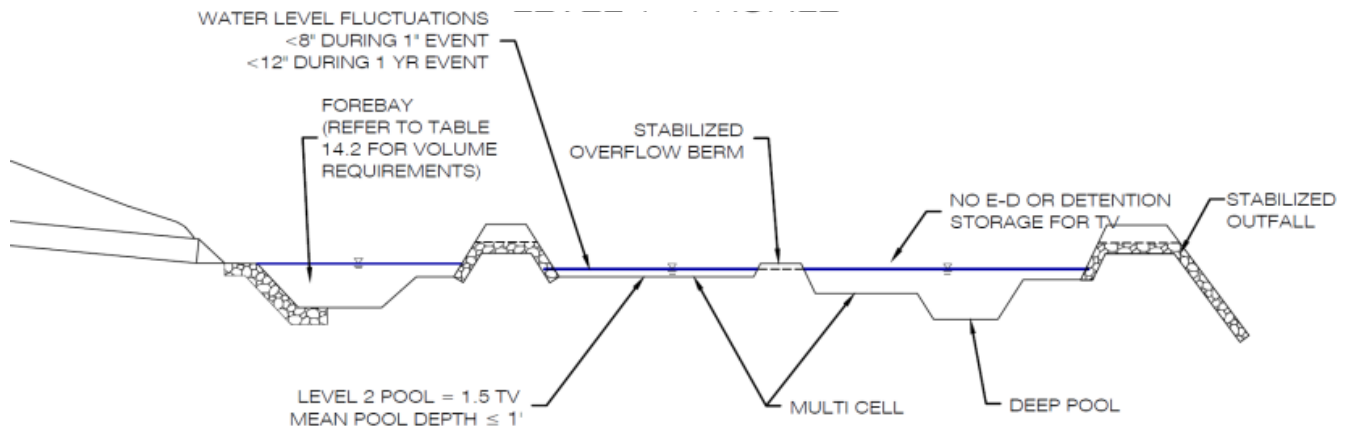
- **Inflow Points** include the sloped area around the facility and any pipes releasing water to the facility.
- **Outfall Points** include the earthen berm and the pipe leaving the facility.
- **Forebay** is the pooling area between the inflow point and the constructed wetland.
- **Riser** is structure (typically concrete) through which stormwater is released from the constructed wetland to the outfall point.
- **Embankment** is the earthen bank or mound that holds back stormwater to prevent folding downstream



Constructed Wetland Plan View



Typical Cross Section Level 1



Typical Cross Section Level 2

Photos: Attach a minimum of two (2) date stamped photos of the facility to this inspection report. One photo should show the overall location of the facility and the other should be a close up of the facility. Please include photos of any deficiencies or corrective measures.

When the form is complete submit the form and photos to: dhermoso@warrentonva.gov with the address and Case ID in the subject line.